

120\*120\*38mm

65 ~ 95 CFM



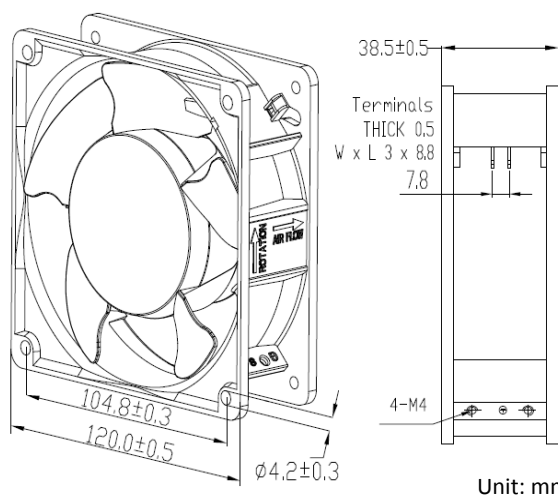
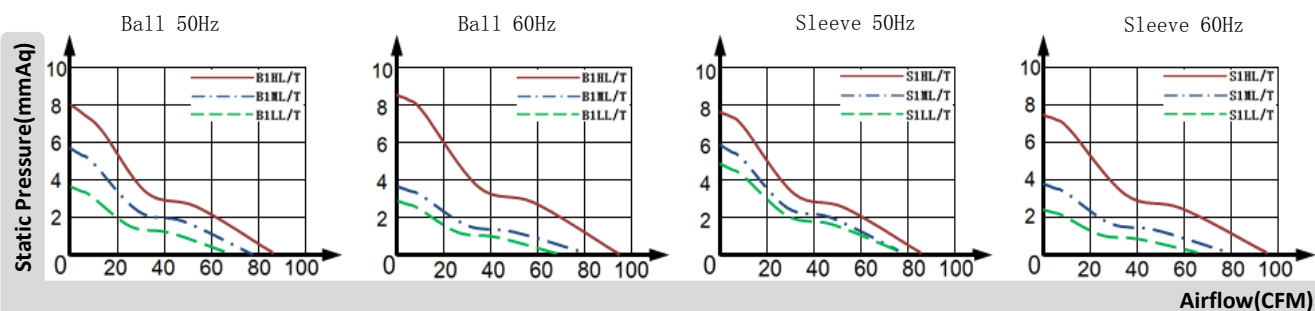
Specifications

Model	Bearing	Voltage	Frequency	Current	Power	Speed	Air Flow		Static Pressure	Noise
		VAC	Hz	A	W	RPM	CFM	m <sup>3</sup> /min	mm H <sub>2</sub> O	dB-A
12038B1HL	Ball	115	50/60	0.26/0.22	20/17	2650/3000	85/95	2.41/2.69	8.0/8.6	42/45
12038B1HT	Ball	115	50/60	0.26/0.22	20/17	2650/3000	85/95	2.41/2.69	8.0/8.6	42/45
12038B1ML	Ball	115	50/60	0.14/0.13	11/10	2450/2300	78/78	2.20/2.20	5.6/3.4	40/39
12038B1MT	Ball	115	50/60	0.14/0.13	11/10	2450/2300	78/78	2.20/2.20	5.6/3.4	40/39
12038B1LL	Ball	115	50/60	0.13/0.12	10/9	2200/2000	68/68	1.93/1.93	3.6/2.9	38/35
12038B1LT	Ball	115	50/60	0.13/0.12	10/9	2200/2000	68/68	1.93/1.93	3.6/2.9	38/35
12038S1HL	Sleeve	115	50/60	0.26/0.22	20/17	2600/2900	85/95	2.41/2.69	7.4/7.5	41/44
12038S1HT	Sleeve	115	50/60	0.26/0.22	20/17	2600/2900	85/95	2.41/2.69	7.4/7.5	41/44
12038S1ML	Sleeve	115	50/60	0.15/0.14	12/11	2400/2300	78/78	2.20/2.20	5.7/3.5	40/39
12038S1MT	Sleeve	115	50/60	0.15/0.14	12/11	2400/2300	78/78	2.20/2.20	5.7/3.5	40/39
12038S1LL	Sleeve	115	50/60	0.12/0.11	10/9	2400/2000	78/65	2.20/1.84	4.8/2.6	40/35
12038S1LT	Sleeve	115	50/60	0.12/0.11	10/9	2400/2000	78/65	2.20/1.84	4.8/2.6	40/35

All model could be customized. Please contact with YYC Sales.  
 Specifications are subject to change without notice.

Safety: UL/TUV/CE/CCC

Air Flow-Static Pressure Characteristics



- Frame: Aluminum alloy
- Impeller: PBT Plastic
- Protected: Impedance protected
- Connection: Lead Wire or Terminals
- Ball Bearing: -20 °C to +70 °C
- Sleeve Bearing: -10 °C to +70 °C
- Package: 40PCS/CTN