

φ220*60mm

390 CFM



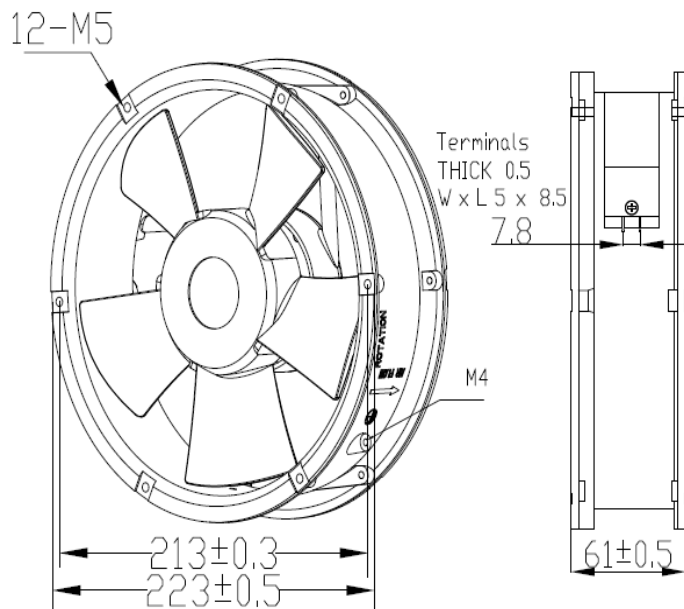
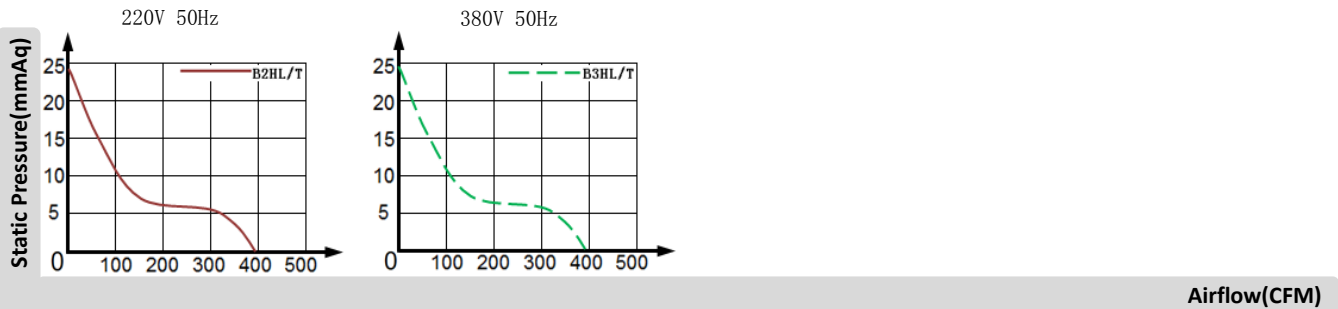
Specifications

Model	Bearing	Voltage	Frequency	Current	Power	Speed	Air Flow		Static Pressure	Noise
		VAC	Hz	A	W	RPM	CFM	m ³ /min	mm H ₂ O	dB-A
22060B2HL	Ball	220-240	50	0.29	46	2350	390	11	24	61
22060B2HT	Ball	220-240	50	0.29	46	2350	390	11	24	61
22060B3HL	Ball	380	50	0.16	46	2350	390	11	24	61
22060B3HT	Ball	380	50	0.16	46	2350	390	11	24	61

All model could be customized. Please contact with YYC Sales. Specifications are subject to change without notice.

Safety: CE/CCC

Air Flow-Static Pressure Characteristics



Unit: mm

- Frame: Aluminum alloy
- Impeller: PBT Plastic
- Protected: Impedance protected
- Connection: Lead Wire or Terminals
- Ball Bearing: -20 °C to +70 °C
- Sleeve Bearing: -10 °C to +70 °C
- Package: 10PCS/CTN