

92\*92\*38mm  
 Ya-cool  
 40 ~ 50 CFM



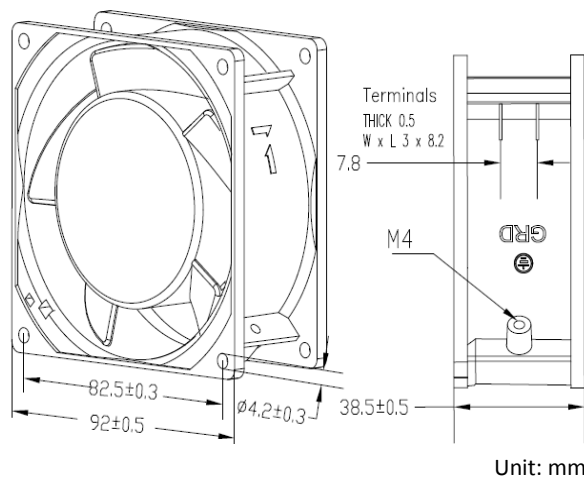
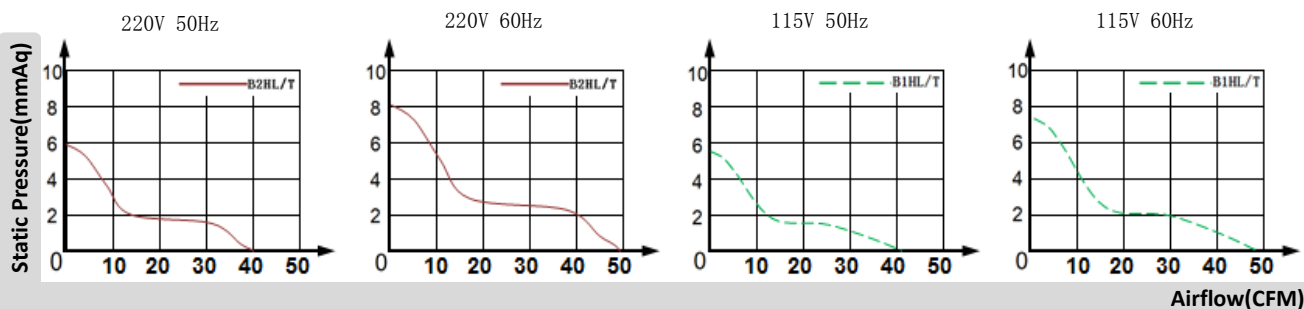
Specifications

Model	Bearing	Voltage	Frequency	Current	Power	Speed	Air Flow		Static Pressure	Noise
		VAC	Hz	A	W	RPM	CFM	m <sup>3</sup> /min	mm H <sub>2</sub> O	dB-A
9238B2HL	Ball	220-240	50/60	0.13/0.10	15/11	2800/3300	40/50	1.15/1.42	5.9/8.3	38/43
9238B2HT	Ball	220-240	50/60	0.13/0.10	15/11	2800/3300	40/50	1.15/1.42	5.9/8.3	38/43
9238B1HL	Ball	115	50/60	0.25/0.18	15/11	2800/3300	40/47	1.18/1.33	5.5/7.4	38/43
9238B1HT	Ball	115	50/60	0.25/0.18	15/11	2800/3300	40/47	1.18/1.33	5.5/7.4	38/43

All model could be customized. Please contact with YYC Sales.  
 Specifications are subject to change without notice.

Safety: UL/TUV/CE/CCC

Air Flow-Static Pressure Characteristics



- Frame: Aluminum alloy
- Impeller: PBT Plastic
- Protected: Impedance protected
- Connection: Lead Wire or Terminals
- Ball Bearing: -20 °C to +70 °C
- Sleeve Bearing: -10 °C to +70 °C
- Package: 40PCS/CTN

Unit: mm