

120\*120\*25mm  
 Ya-cool  
 61 ~ 70 CFM



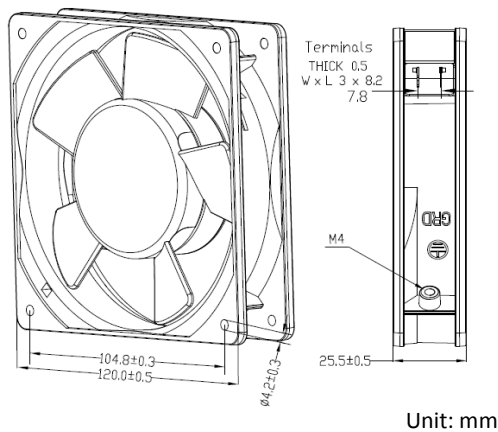
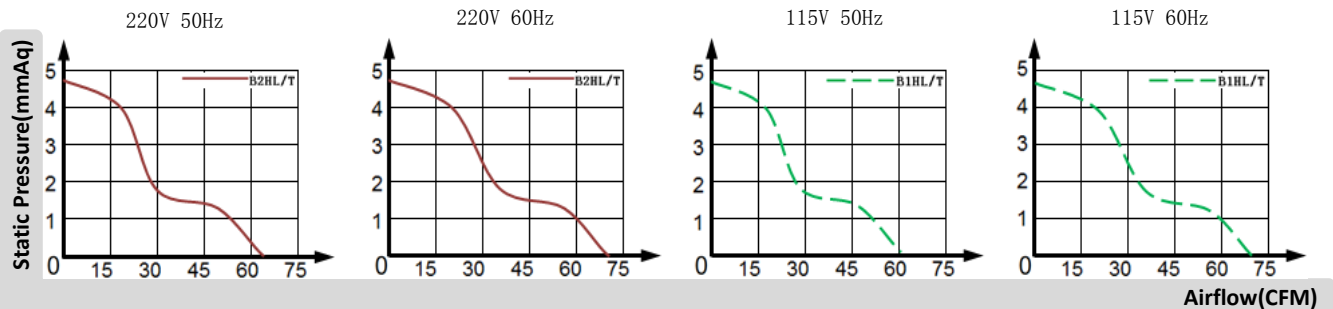
Specifications

Model	Bearing	Voltage	Frequency	Current	Power	Speed	Air Flow		Static Pressure	Noise
		VAC	Hz	A	W	RPM	CFM	m <sup>3</sup> /min	mm H <sub>2</sub> O	dB-A
12025B2HL	Ball	220-240	50/60	0.09/0.07	14.5/11	2450/2800	62/70	1.76/1.98	4.7/4.7	38/42
12025B2HT	Ball	220-240	50/60	0.09/0.07	14.5/11	2450/2800	62/70	1.76/1.98	4.7/4.7	38/42
12025B1HL	Ball	115	50/60	0.18/0.14	14/11	2400/2800	61/70	1.73/1.98	4.7/4.7	38/42
12025B1HT	Ball	115	50/60	0.18/0.14	14/11	2400/2800	61/70	1.73/1.98	4.7/4.7	38/42

All model could be customized. Please contact with YYC Sales.  
 Specifications are subject to change without notice.

Safety: UL/TUV/CE/CCC

Air Flow-Static Pressure Characteristics



Unit: mm

- Frame: Aluminum alloy
- Impeller: PBT Plastic
- Protected: Impedance protected
- Connection: Lead Wire or Terminals
- Ball Bearing: -20 °C to +70 °C
- Sleeve Bearing: -10 °C to +70 °C
- Package: 40PCS/CTN