

172*150*51mm

170 CFM



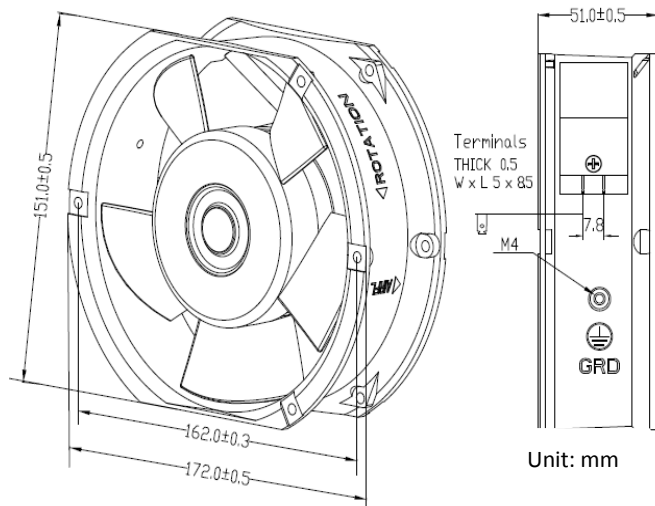
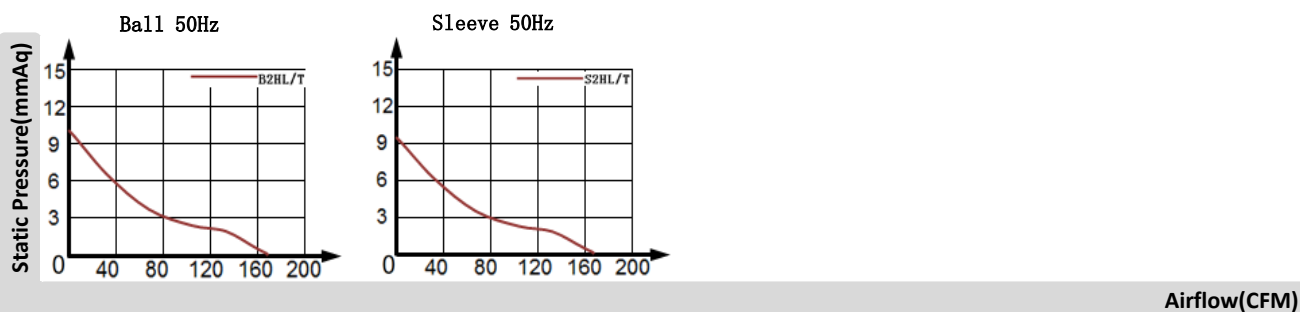
Specifications

Model	Bearing	Voltage	Freq	Current	Power	Speed	Air Flow		Static Pressure	Noise
		VAC	Hz	A	W	RPM	CFM	m ³ /min	mm H ₂ O	dB-A
15050B3HL	Ball	380	50	0.12	33	2700	170	4.81	10.6	56
15050B3HT	Ball	380	50	0.12	33	2700	170	4.81	10.6	56
15050S3HL	Sleeve	380	50	0.12	33	2650	166	4.7	10.2	55
15050S3HT	Sleeve	380	50	0.12	33	2650	166	4.7	10.2	55

All model could be customized. Please contact with YYC Sales.
 Specifications are subject to change without notice.

Safety: CE/CCC

Air Flow-Static Pressure Characteristics



- Frame: Aluminum alloy
- Impeller: PBT Plastic
- Protected: Impedance protected or Thermally protected
- Connection: Lead Wire or Terminals
- Ball Bearing: -20 °C to +70 °C
- Sleeve Bearing: -10 °C to +70 °C
- Package: 20PCS/CTN