

## Specification for Approval

### 1. Characteristics – S254RAN-22-1/2WB (3)

- a. Dia.254x89mm / 10x3.5inch
- b. AC Fan
- c. #1 860(50Hz)/890(60Hz) CFM
- d. #2 680(50Hz)/630(60Hz) CFM



#### Motor

|                     |   |
|---------------------|---|
| Motor Type:         | Capacitor induction, outer rotor, 1-phase   |
| Burnout Protection: | Thermal protector, auto cut-off, auto reset |
| IP Protection:      | -   |

#### Mechanical

|             |  |
|-------------|--|
| Frame:      | Aluminum die cast, natural coating                     |
| Impeller:   | 3 blades, glass fiber reinforced plastic, rated UL94-0 |
| Bearing:    | Two ball bearings                                      |
| Rotation:   | CCW seen on rotor                                      |
| Connection: | Wire leads   |
| Weight:     | 2,460g (5.4Lbs)  |

#### Electrical

|                        |                                  |
|------------------------|----------------------------------|
| Dielectric Strength:   | Over 1 min. at 1,500VAC, 50/60Hz |
| Insulation Resistance: | Over 100MΩ at DC500V             |
| Signal Output:         | -                                |

#### Environment

|                  |  |
|------------------|--|
| Operating Temp:  | Ambient non-condensing -20 ~ +65C                            |
| Storage Temp:    | -40C ~ +100C (at 65%RH)                                      |
| Life Expectancy: | Based on formula L10, 80K hours at 35° C, 40K hours at 60° C |

#### Approval



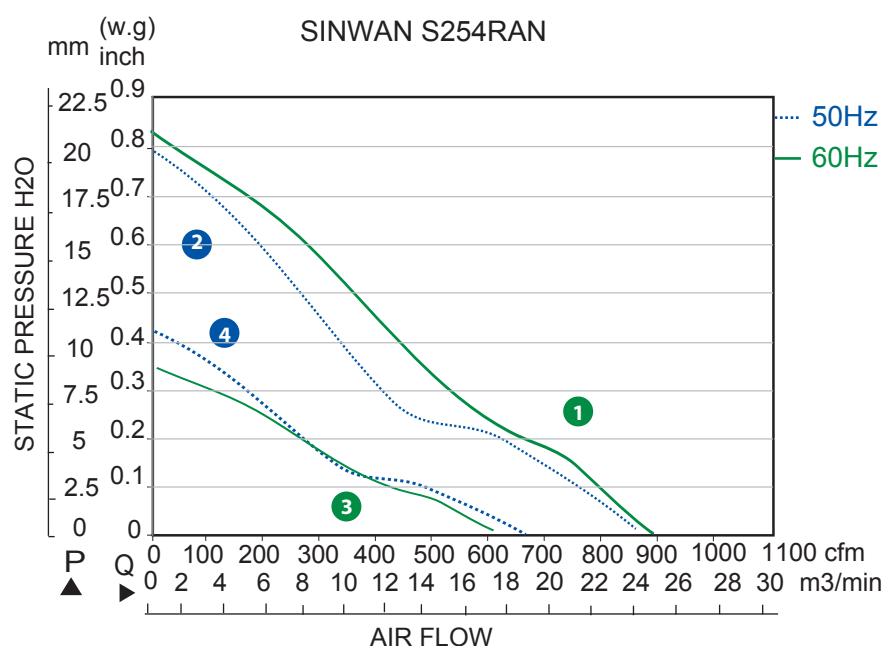
## Specification for Approval

### 2. Test Results Data

| S254RAN-22-1/2WB (3) |                     |                       |              |             |
|----------------------|---------------------|-----------------------|--------------|-------------|
| 1.                   | Rated Voltage       | VAC                   | 230          |             |
| 2.                   | Voltage Range       | VAC                   | 200~240      |             |
| 3.                   | Freq.               | Hz                    | 50/60        |             |
| 4.                   | Input Power         | Watt.                 | 60/75 (~110) | 45/55 (~80) |
| 5.                   | Ref. Speed          | RPM                   | 2600/2650    | 2200/2000   |
| 6.                   | Max Airflow         | CFM                   | 860/890      | 680/630     |
|                      |                     | m3/min                | 24.4/25.2    | 19.3/17.8   |
| 7.                   | Max Static Pressure | Inch/H <sub>2</sub> O | 0.79/0.83    | 0.41/0.35   |
|                      |                     | mm                    | 20.07/21.08  | 10.41/8.89  |
| 8.                   | Noise               | db(A)                 | 63           | 51          |
| 9.                   | PQ Curves           |                       | 2/1          | 4/3         |

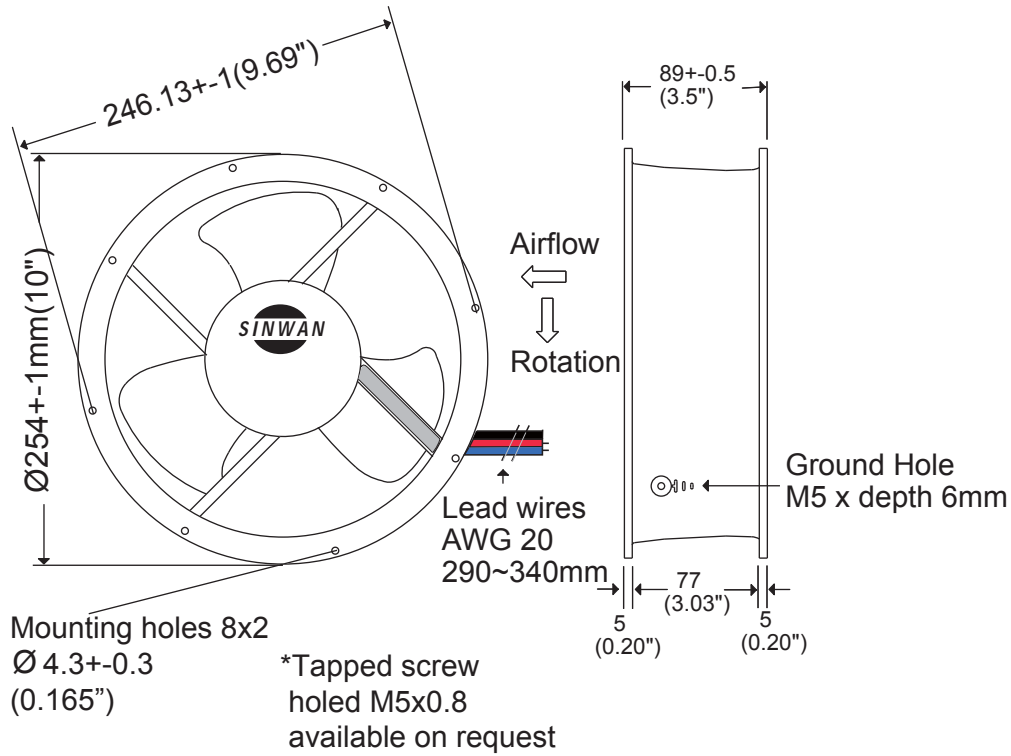
Note: Sinwan reserves the right to change data and improve electrical & mechanical design without notice, data tolerance ± 10%

### 3. P-Q Curves

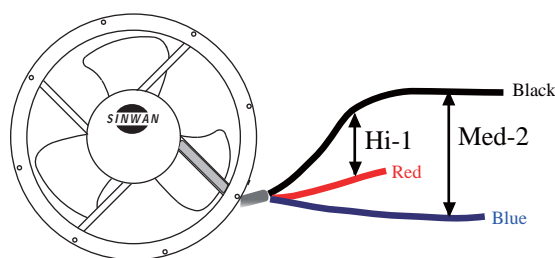


# Specification for Approval

## 4. Drawings



### Dual Speed -1/2 (High/Medium)



### Wire type

- Black ----- Neutral wire
- Black + Red ----- High speed-1
- Black + Blue ----- Medium speed-2